

# 8-Channels Core IC

## Part number

- ◆ RS7308XXX

## Overview

The RS7308XXX IC comprises of 8 cores of 8-bit active phase shifters and 7 bits VGAs that operates in the L, S, C, X and Ku frequency bands. The IC is SPI configurable and offers the required flexibility for phase and amplitude calibration.

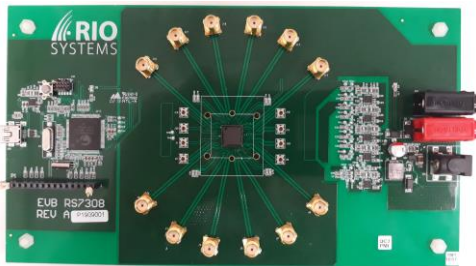
## Key features

- ◆ Multiple frequency ranges
- ◆ 7-bit amplitude resolution
- ◆ 8-bit phase resolution
- ◆ Phase and amplitude calibrations
- ◆ Integrated lookup tables
- ◆ SPI configuration

## Applications

- ◆ Phase array
- ◆ Antenna beam forming
- ◆ Interference cancellation

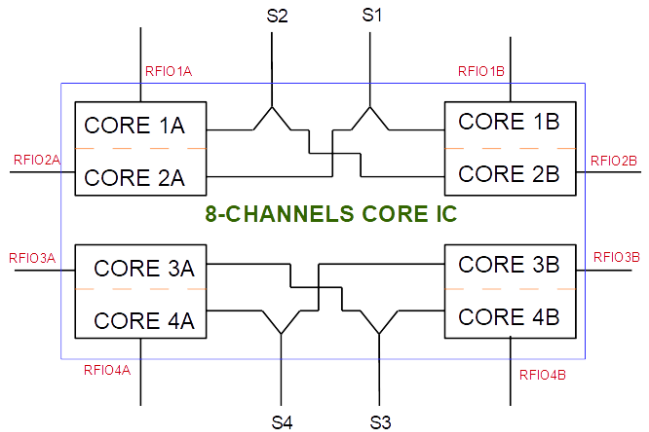
## Evaluation boards



## Contact

RIO SYSTEMS LTD  
 10 Hanahoshet St  
 Tel Aviv, 6971072, Israel  
 E-mail: [info@rio-system.com](mailto:info@rio-system.com)  
 Tel: +972 3 5349109

## Block diagram



## Main specifications

Part number	Frequency band (GHz)	Type	Channels
RS7308LR	0.8 – 3.5	RX	8
RS7308L	0.8 – 3.5	TX/RX	4
RS7308CR	3 – 6.2	RX	8
RS7308CT	3 – 6.2	TX	8
RS7308X	8 – 11	TX/RX	4
RS7308XR	8 – 11	RX	8
RS7308XT	8 – 11	TX	8
RS7308K	10.7 – 15	TX/RX	4
RS7308KR	10.7 – 15	RX	8
RS7308KT	10.7 – 15	TX	8
RS7308KU	15 – 17.5	TX/RX	4

## User interface

