

8-Channels Core IC

Part number

- ◆ RS7308XXX

Overview

The RS7308XXX IC comprises of 8 cores of 8-bit active phase shifters and 7 bits VGAs that operates in the L, S, C, X and Ku frequency bands. The IC is SPI configurable and offers the required flexibility for phase and amplitude calibration.

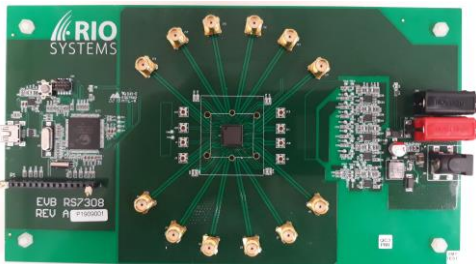
Key features

- ◆ Multiple frequency ranges
- ◆ 7-bit amplitude resolution
- ◆ 8-bit phase resolution
- ◆ Phase and amplitude calibrations
- ◆ Integrated lookup tables
- ◆ SPI configuration

Applications

- ◆ Phase array
- ◆ Antenna beam forming
- ◆ Interference cancellation

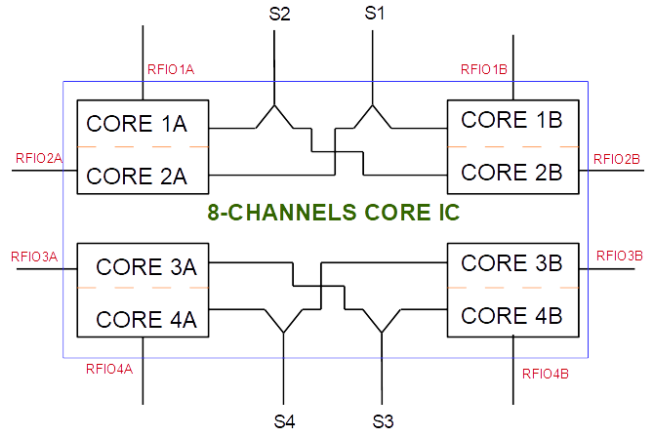
Evaluation boards



Contact

RIO SYSTEMS LTD
 10 Hanahoshet St
 Tel Aviv, 6971072, Israel
 E-mail: info@rio-system.com
 Tel: +972 3 5349109

Block diagram



Main specifications

Part number	Frequency band (GHz)	Type	Channels
RS7308LR	0.8 – 3.5	RX	8
RS7308L	0.8 – 3.5	TX/RX	4
RS7308CR	3 – 6.2	RX	8
RS7308CT	3 – 6.2	TX	8
RS7308X	8 – 11	TX/RX	4
RS7308XR	8 – 11	RX	8
RS7308XT	8 – 11	TX	8
RS7308K	10.7 – 15	TX/RX	4
RS7308KR	10.7 – 15	RX	8
RS7308KT	10.7 – 15	TX	8

User interface

