

6 bits programmable TCO current reference

Part number

- ◆ TCO1214L

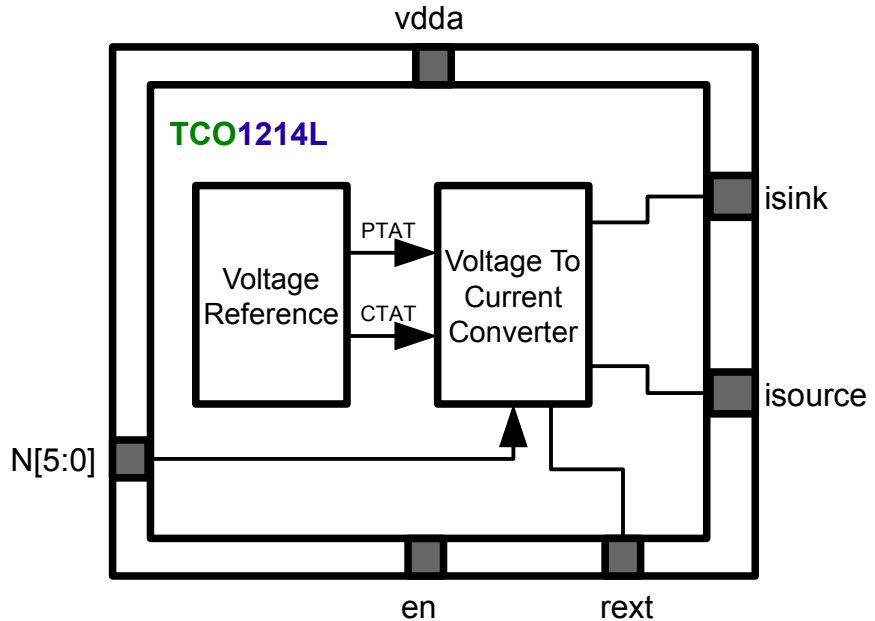
Overview

The TCO1214L provides a current having programmable temperature coefficient. It is suitable for temperature compensation applications.

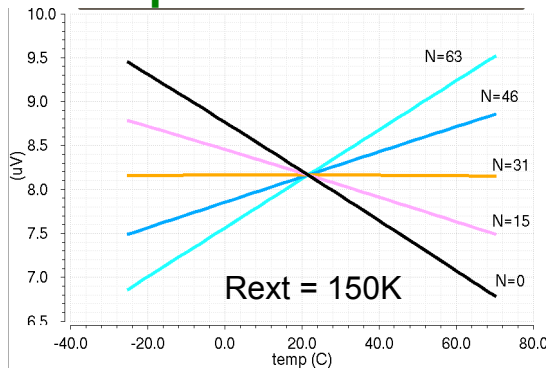
Deliverable

- ◆ Close source database (flat GDSII)
- ◆ Support

Block diagram



Temperature Profile



Main specifications

Parameters	Value
Maximum TCO	0.34%/°C*
Minimum TCO	-0.34%/°C*
Nominal Current (@22°C)*	1.22V/Rext

* Modifiable by design

Technology node

- ◆ XC06

Contact

RIO SYSTEMS LTD
 7 Gush Etzion St.,
 Givat Shmuel, 54030, Israel
 E-mail: info@rio-system.com
 Tel: +972 3 5349109