

# RF power detector

## Part number

- ◆ RS8730

## Overview

The RS8730 is a broadband RF power detector for power control applications. The RS8730 integrates a 4-level comparators with programmable hysteresis for noisy environments.

## Features

- ◆ 30 dB dynamic range
- ◆ DC to 2 GHz bandwidth
- ◆ 4-level digital output
- ◆ Integrated decoder
- ◆ Programmable hysteresis (current mode)
- ◆ 1.8V supply voltage

## Deliverable

- ◆ Close source database (flat GDSII)
- ◆ Open source database Support

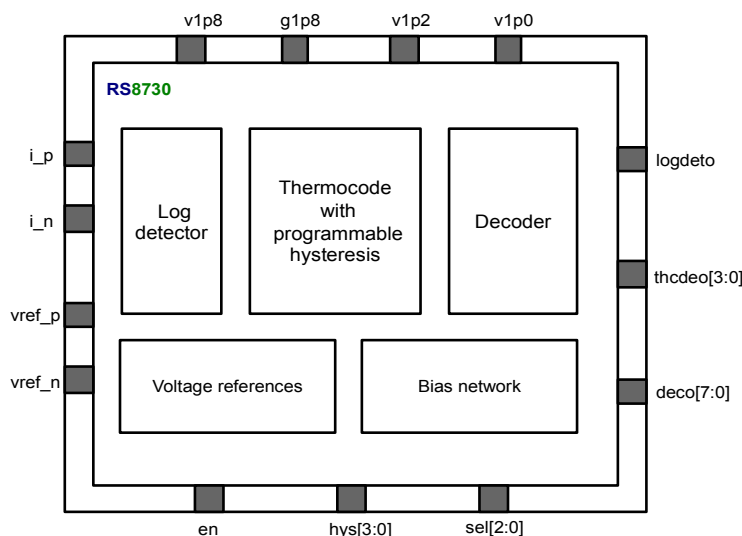
## Applications

- ◆ RF detection
- ◆ Power control
- ◆ RF power management

## Technology node

- ◆ TowerJazz TS18

## Block diagram



## Main specifications

Parameters	Value
Frequency range	DC - 2GHz
Detector range	30 dB
Area	0.26 mm x 0.13 mm
DC current	9.3 mA
Supply voltage	1.8 V

## Contact

RIO SYSTEMS LTD  
 7 Gush Etzion St.,  
 Givat Shmuel, 54030, Israel  
 E-mail: [info@rio-system.com](mailto:info@rio-system.com)  
 Tel: +972 3 5349109