

RF power detector

Part number

- ◆ RS8720

Overview

The RS8720 is a broadband RF power detector for power control applications.

Features

- ◆ 30 dB dynamic range
- ◆ DC to 2 GHz bandwidth
- ◆ Area: 0.21 mm x 0.12 mm
- ◆ 8.1mA current consumption
- ◆ 1.8V supply voltage

Deliverable

- ◆ Close source database (flat GDSII)
- ◆ Open source database
- ◆ Support

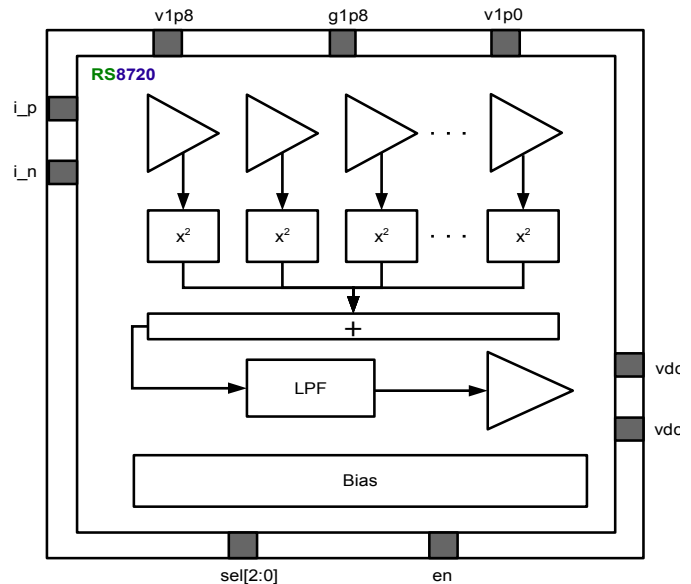
Applications

- ◆ RF detection
- ◆ Power control
- ◆ RF power management

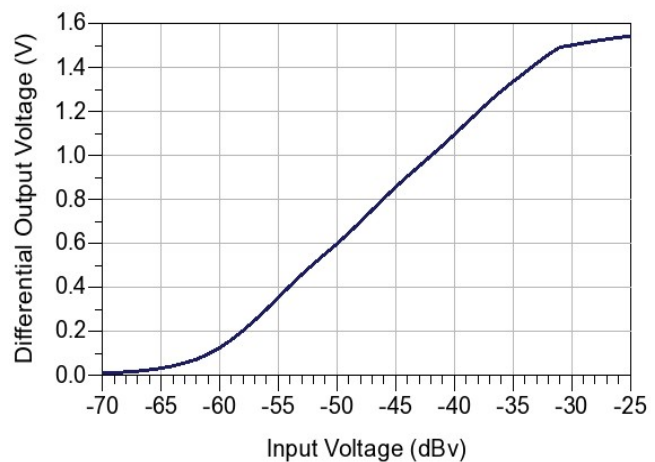
Technology node

- ◆ TowerJazz TS18

Block diagram



Main specifications



Contact

RIO SYSTEMS LTD
 7 Gush Etzion St.,
 Givat Shmuel, 54030, Israel
 E-mail: info@rio-system.com
 Tel: +972 3 5349109