

RF power detector

Part number

- ◆ RS8710

Overview

The RS8710 is wide dynamic range linear-in-dB RF power detector for power control applications.

Features

- ◆ > 60 dB dynamic range
- ◆ Linear-in-dB characteristics
- ◆ Stable over temperature
- ◆ Digital VSET voltage
- ◆ Area: 0.11 mm x 0.52 mm
- ◆ 2.6mA current consumption
- ◆ 1.8V supply voltage

Deliverable

- ◆ Close source database (flat GDSII)
- ◆ Open source database
- ◆ Support

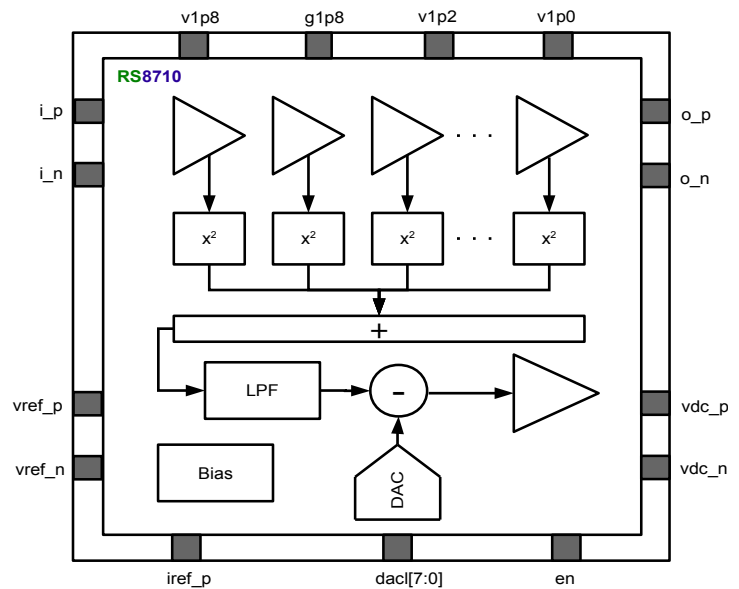
Applications

- ◆ Signal detection
- ◆ Power control
- ◆ AGC loops

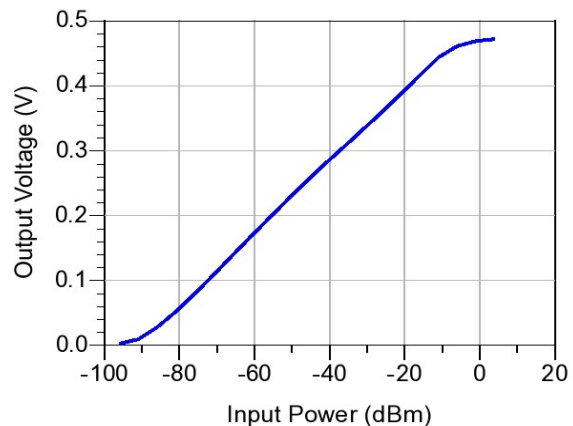
Technology node

- ◆ TowerJazz SBC18

Block diagram



Main specifications



Contact

RIO SYSTEMS LTD
 7 Gush Etzion St.,
 Givat Shmuel, 54030, Israel
 E-mail: info@rio-system.com
 Tel: +972 3 5349109