

150 MSPS 12-bit current steering digital to analog converter

Part number

- ◆ RS8660

Overview

The RS8660 is a 12-bit low power 150 MSPS digital to analog converter.

Deliverable

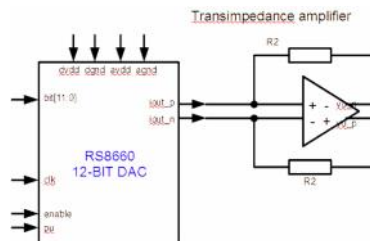
- ◆ GDSII
- ◆ Support

Applications

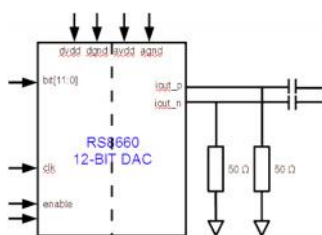
- ◆ Wireless systems
- ◆ General purpose DACs

Configurations

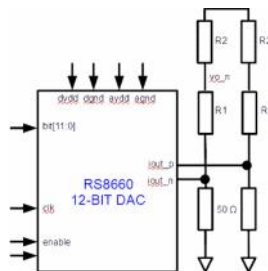
Transimpedance amplifier



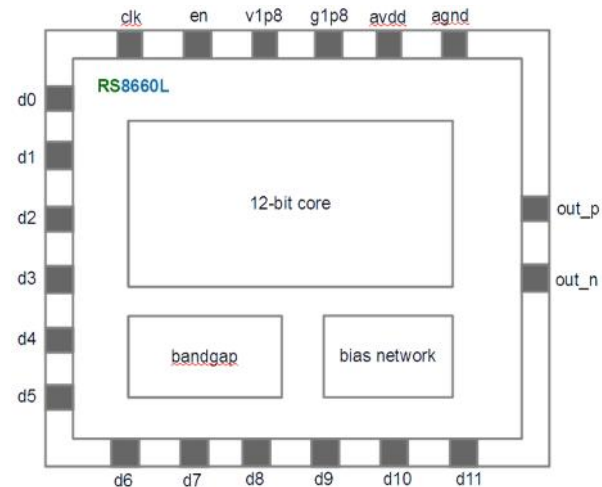
AC coupler



DC coupler



Block diagram



Main specifications

Parameters	Value
Sampling rate	125 MHz
Number of channels	2
Resolution	12 bits
Output current	20 mA
Supply voltage	1.8 V / 3.3 V

Technology node

- ◆ TowerJazz TS18

Contact

RIO SYSTEMS LTD
 7 Gush Etzion St.,
 Givat Shmuel, 54030, Israel
 E-mail: info@rio-system.com
 Tel: +972 3 5349109