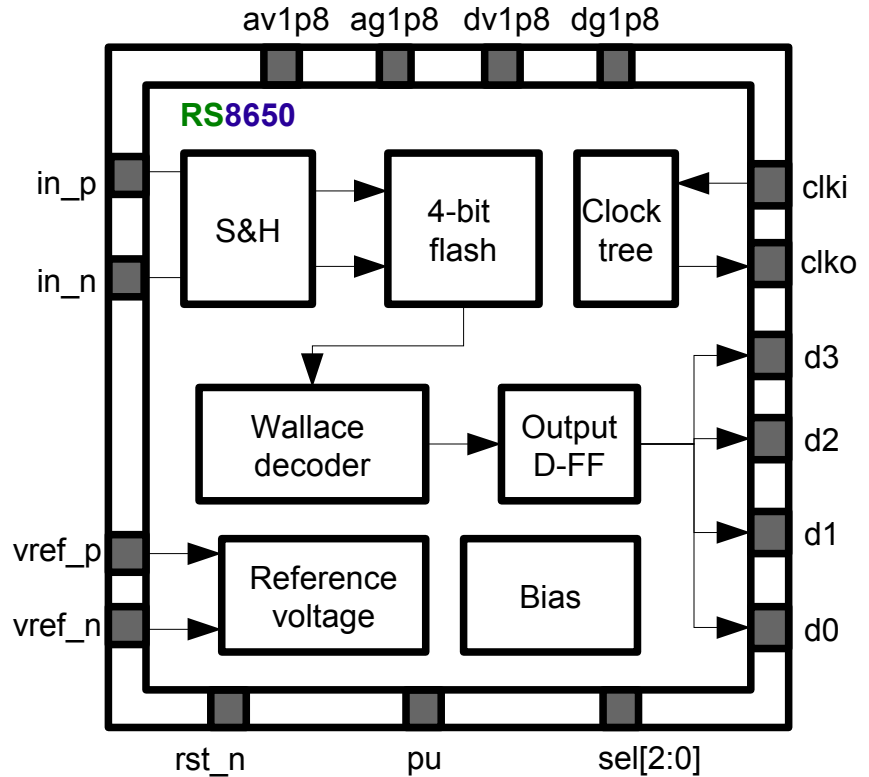


# 4-bit flash analog to digital converter

## Part number

- ◆ RS8650

## Block diagram



## Overview

The RS8650 is a general purpose 4-bit flash analog to digital converter with differential input signal and LVCMOS output data.

## Deliverable

- ◆ Close source database (GDSII)
- ◆ Netlist
- ◆ Support

## Main specifications

Parameters	Value
Resolution	4 bits
Current consumption	~2 mA
Stand by current	14 nA
Area	340 $\mu\text{m}$ x 400 $\mu\text{m}$
Supply voltage	1.8 V

## Technology node

- ◆ TowerJazz TS18

## Contact

RIO SYSTEMS LTD  
 7 Gush Etzion St.,  
 Givat Shmuel, 54030, Israel  
 E-mail: [info@rio-system.com](mailto:info@rio-system.com)  
 Tel: +972 3 5349109