

Single-ended 8-bit SAR analog to digital converter

Part number

- ◆ RS8600

Overview

The RS8600 is general purpose low power 8-bit successive approximation analog to digital converter core. The RS8600 is well suited for sensors and house keeping applications.

Features

- ◆ 8-bit converter
- ◆ Single-ended analog input
- ◆ Low current consumption
- ◆ 1.8V supply voltage

Deliverable

- ◆ Close source database (flat GDSII)
- ◆ Open source database
- ◆ Support

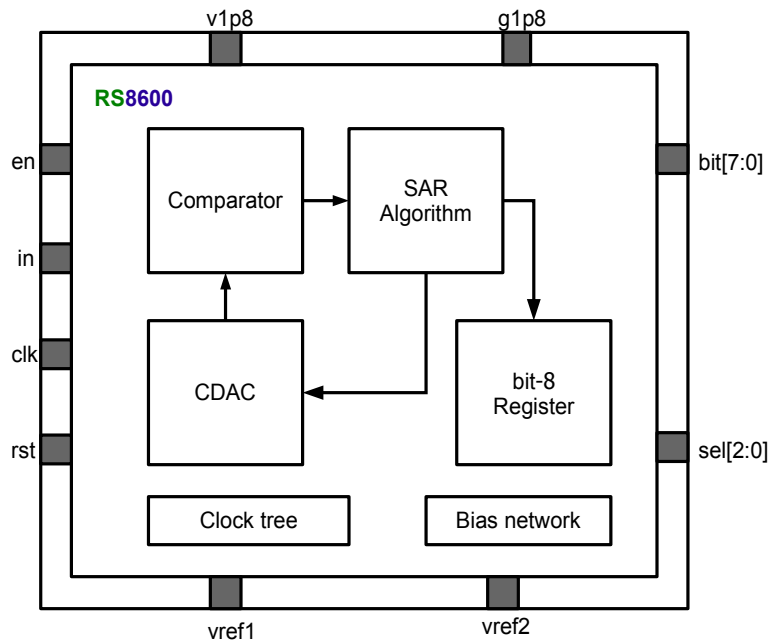
Applications

- ◆ General purpose ADC
- ◆ Control systems
- ◆ House keeping

Technology node

- ◆ TowerJazz TS18

Block diagram



Main specifications

Parameters	Value
Resolution	8 bit
Reference voltage	0 to 1.8 V
DC current	0.2 mA
Supply voltage	1.8V

Contact

RIO SYSTEMS LTD
 7 Gush Etzion St.,
 Givat Shmuel, 54030, Israel
 E-mail: info@rio-system.com
 Tel: +972 3 5349109