

8-bit R-2R differential digital to analog converter

Part number

- ◆ RS5811

Overview

The RS5810 is general purpose 8-bit R-2R differential digital to analog converter.

Features

- ◆ R-2R topology
- ◆ 8-bit resolution
- ◆ Low current consumption
- ◆ 1.8V supply voltage

Deliverable

- ◆ Close source database (flat GDSII)
- ◆ Open source database
- ◆ Support

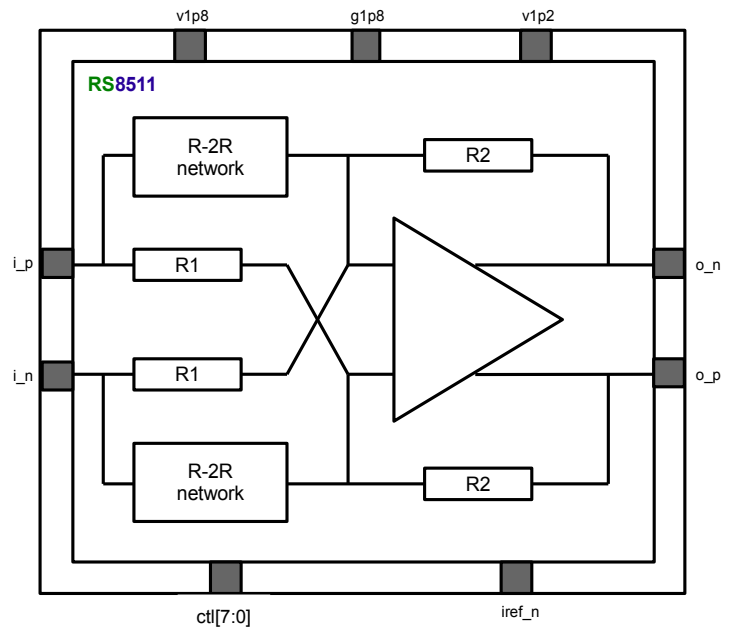
Applications

- ◆ General purpose DAC
- ◆ Control systems
- ◆ House keeping DAC

Technology node

- ◆ TowerJazz SBC18

Block diagram



Main specifications

Parameters	Value
Resolution	8bit
DC current	0.5mA
Supply voltage	1.8V

Contact

RIO SYSTEMS LTD
 7 Gush Etzion St.,
 Givat Shmuel, 54030, Israel
 E-mail: info@rio-system.com
 Tel: +972 3 5349109