

Speaker Verification

Part number

- ◆ RS8201

Overview

The RS8201 verifies if the incoming voice signal matches given code book characteristics

Deliverable

- ◆ Close source database (GDSII)
- ◆ HDL
- ◆ OVM test benches
- ◆ Support

Applications

- ◆ Car key with remote control
- ◆ Garage opener remote control
- ◆ Hotel room doors
- ◆ Key-less entry system
- ◆ Hotel room safe

Algorithm

- ◆ Energy for voice detection
- ◆ Pre-emphasis
- ◆ Hamming Window
- ◆ Linear Prediction Coding
- ◆ Coefficients
- ◆ Matching by Vector Quantization

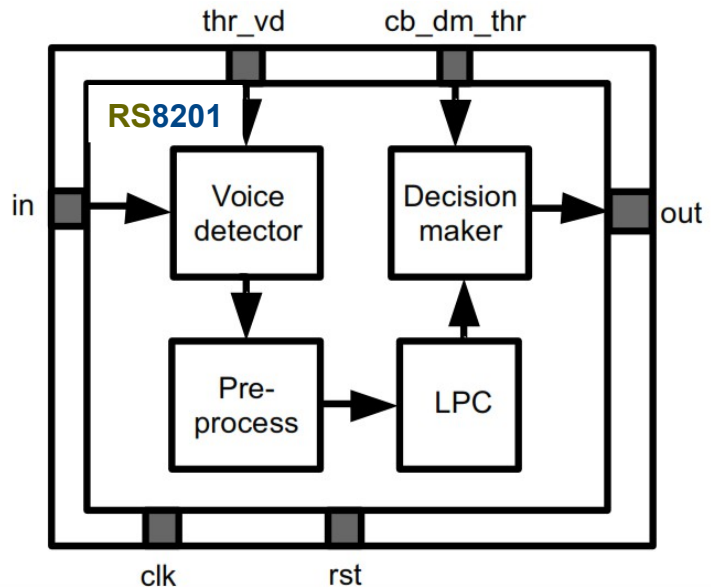
Real time

- ◆ Decision output as soon as enough input samples received
- ◆ 25 ms latency

Technology node

- ◆ XFab XH035

Block diagram



Main specifications

Parameters	Value
Input samples bits	16 bits
Input sample rate	11 kHz (recommended)
Output	2 bit (good-bad-n.d.)
Response time	0.2 ... 7 s
Power consumption	15 mW

Interface

- ◆ AMBA-AXI4 Lite

Contact

RIO SYSTEMS LTD
 7 Gush Etzion St.,
 Givat Shmuel, 54030, Israel
 E-mail: info@rio-system.com
 Tel: +972 3 5349109