

PWM modulator

Part number

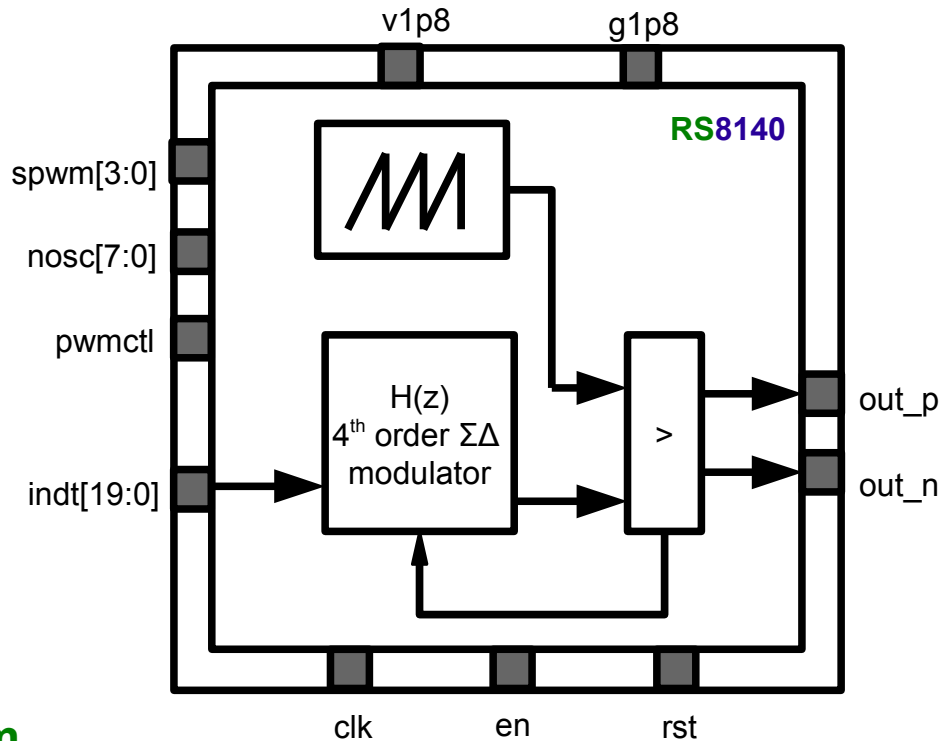
- ◆ RS8140

Overview

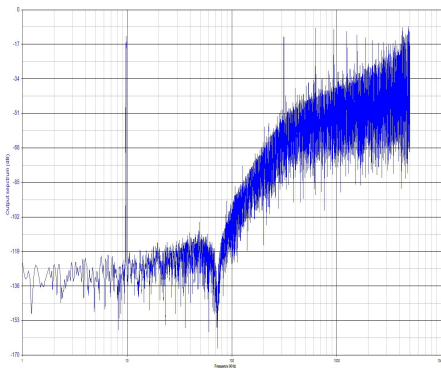
The RS8140 is a 1-bit PWM sigma delta modulator. A 4th order sigma delta transfer function defines the loop filter.

Deliverable

- ◆ HDL
- ◆ Support



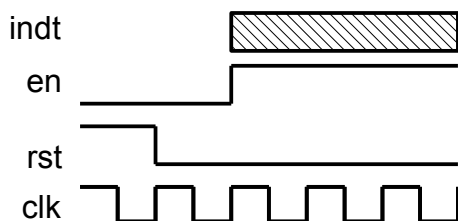
Output spectrum



Main specifications

Parameters	Value
Dynamic range	-112 dBc
Variable PWM frequency	fsample / nosc
Variable PWM gain	0 to 32
Sym / Asym pwm control	0 – Sym 1 - Asym
Output bits	1 bit (PWM)

Timing diagram



Contact

RIO SYSTEMS LTD
 7 Gush Etzion St.,
 Givat Shmuel, 54030, Israel
 E-mail: info@rio-system.com
 Tel: +972 3 5349109