

4th order sigma delta modulator

Part number

- ◆ RS8120

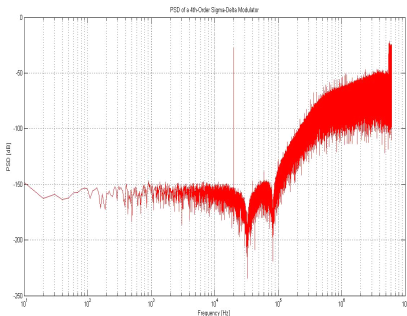
Overview

The RS8120 is a 4th order sigma-delta modulator for data converters and PWM based circuits.

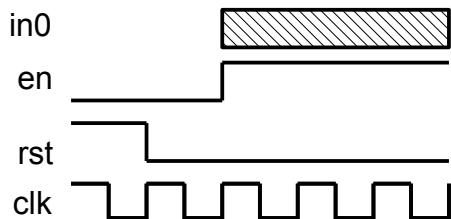
Deliverable

- ◆ Close source database (flat GDSII)
- ◆ HDL
- ◆ Support

Output spectrum



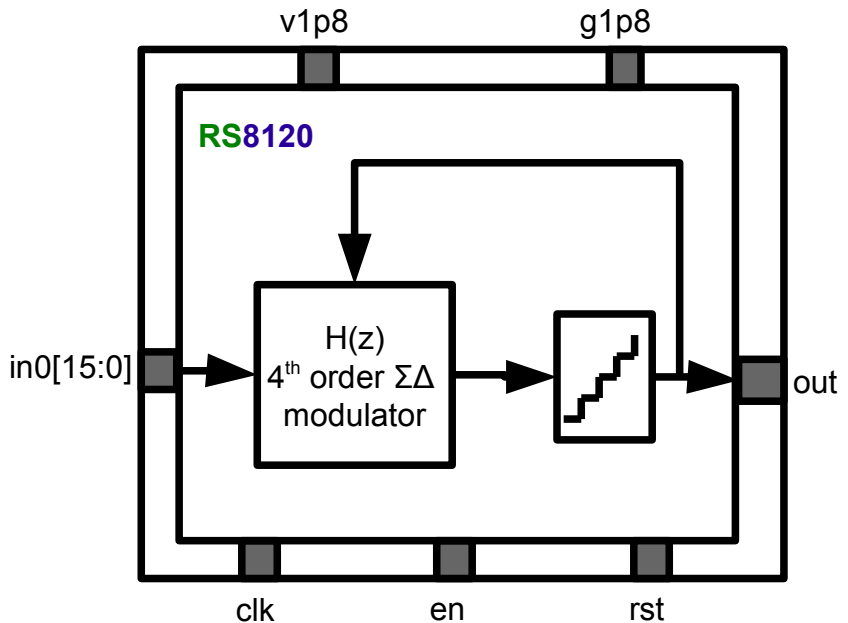
Timing diagram



Technology node

- ◆ TowerJazz TS18

Block diagram



Main specifications

Parameters	Value
Modulator order	4
Resolution	16 bit
Output bits	1 bit (PWM)
Fsample / BW ratio	~ 100

Contact

RIO SYSTEMS LTD
 7 Gush Etzion St.,
 Givat Shmuel, 54030, Israel
 E-mail: info@rio-system.com
 Tel: +972 3 5349109