

SPI interface

Part number

- ◆ RS8030

Overview

The RS8030 is a general purpose SPI interface for IC connectivity.

Features

- ◆ 24-bit registers
- ◆ 40 MHz clock frequency
- ◆ External address enable
- ◆ External reset control pin
- ◆ 1.8V supply voltage

Deliverable

- ◆ Close source database (flat GDSII)
- ◆ Support

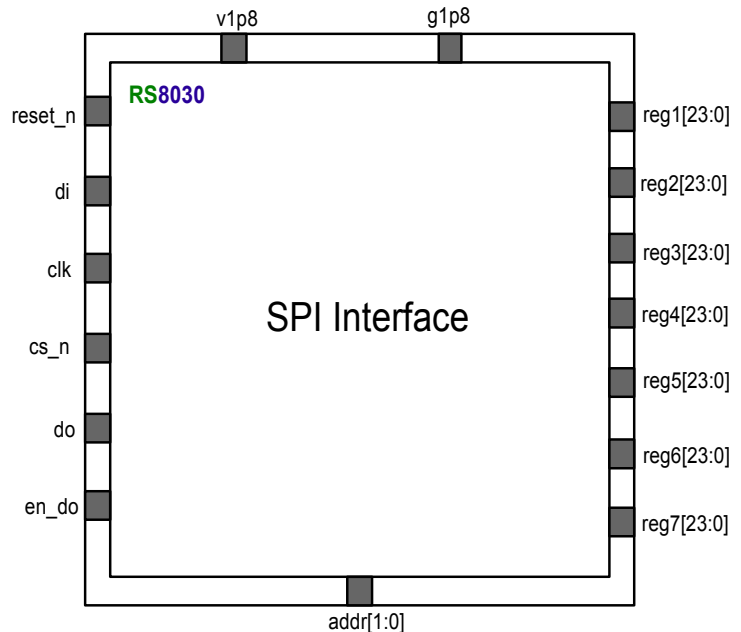
Applications

- ◆ IC connectivity
- ◆ Block connectivity

Technology node

- ◆ TowerJazz SBC18

Block diagram



Main specifications

Parameters	Value
Clock frequency	< 40 MHz
Registers	24 bits
Area	0.29mm x 0.29mm
Supply voltage	1.8V

Contact

RIO SYSTEMS LTD
 7 Gush Etzion St.,
 Givat Shmuel, 54030, Israel
 E-mail: info@rio-system.com
 Tel: +972 3 5349109