

Broadband RF transmitter front-end

Part number

- ◆ RS7200

Overview

The RS7200 is a general purpose broadband RF front-end transmitter operating up to 6GHz.

Features

- ◆ Broadband IQ modulator
- ◆ Coarse gain control option
- ◆ Independent output terminals
- ◆ 16 dBm output power
- ◆ 1.8V supply voltage

Deliverable

- ◆ Close source database (flat GDSII)
- ◆ Open source database
- ◆ Support

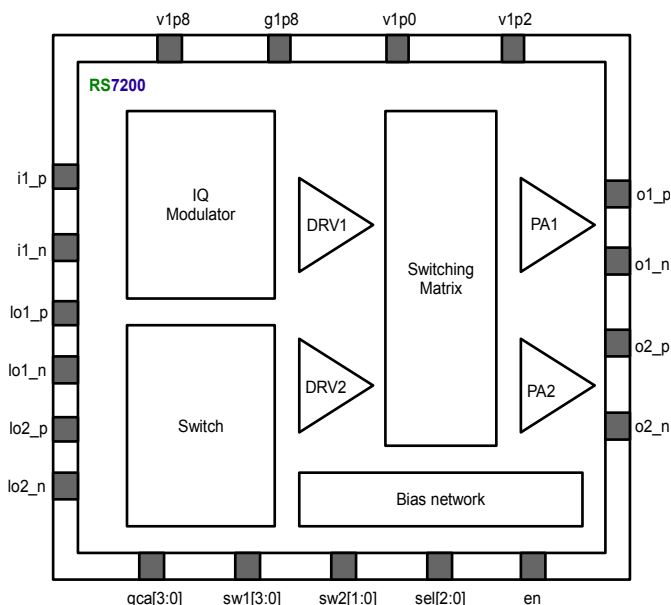
Applications

- ◆ Wireless communication
- ◆ Point-to-point systems
- ◆ Broadband transmitters

Technology node

- ◆ TowerJazz SBC18

Block diagram



Main specifications

Parameters	Value
Frequency range	< 6 GHz
Output power	16 dBm
Area	0.3mm x 1.1mm
DC current	47mA
Supply voltage	1.8V

Contact

RIO SYSTEMS LTD
 7 Gush Etzion St.,
 Givat Shmuel, 54030, Israel
 E-mail: info@rio-system.com
 Tel: +972 3 5349109