

Broadband RF receiver front-end

Part number

- ◆ RS7100

Overview

The RS7100 is a general purpose broadband RF front-end receiver operating up to 6GHz.

Features

- ◆ Variable gain broadband LNA
- ◆ Internally matched RF terminal
- ◆ Variable gain IQ demodulator
- ◆ Digital compensation for phase imbalance
- ◆ 1.8V supply voltage

Deliverable

- ◆ Close source database (flat GDSII)
- ◆ Open source database
- ◆ Support

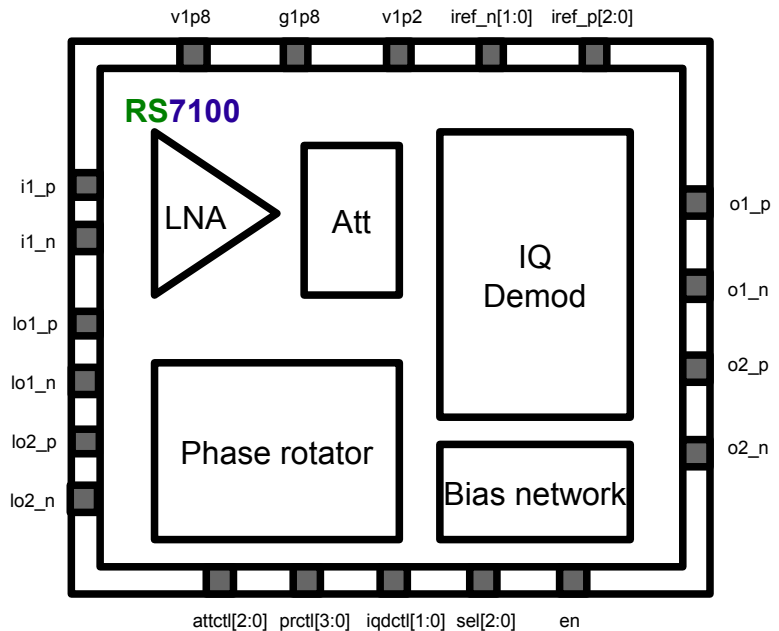
Applications

- ◆ Wireless communication
- ◆ Point-to-point systems
- ◆ Broadband receivers

Technology node

- ◆ TowerJazz SBC18

Block diagram



Main specifications

Parameters	Value
Frequency range	< 6 GHz
Gain control range	15 dB
Noise figure (DSB)	< 2.5dB @ max. gain
Input 1dBc	-22 dBm to -7dBm
DC current	16mA
Supply voltage	1.8V

Contact

RIO SYSTEMS LTD
 7 Gush Etzion St.,
 Givat Shmuel, 54030, Israel
 E-mail: info@rio-system.com
 Tel: +972 3 5349109