

# 2<sup>nd</sup> order complex gmC filter

## Part number

- ◆ RS6300

## Overview

The RS6300 is a 2<sup>nd</sup> order gmC complex filter operating with center frequency at 285MHz.

## Features

- ◆ Center frequency at 285MHz
- ◆ Low noise performance
- ◆ Tunable frequency response
- ◆ 1.8V supply voltage

## Deliverable

- ◆ Close source database (flat GDSII)
- ◆ Open source database
- ◆ Support

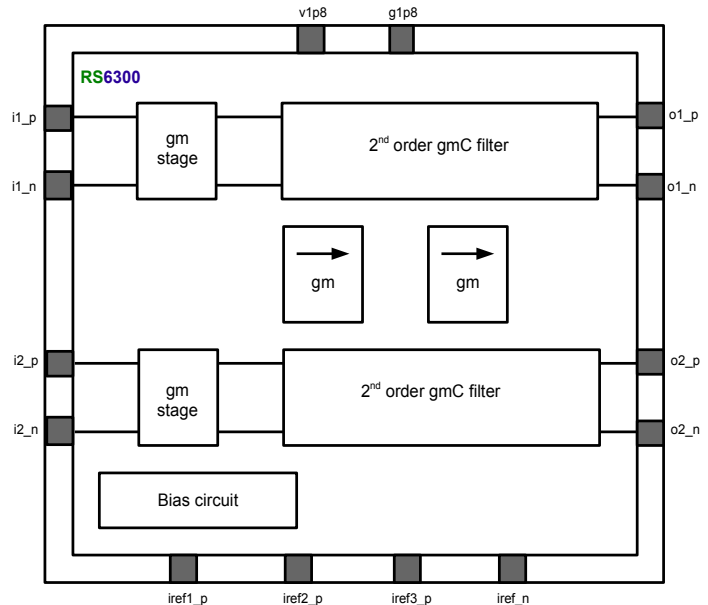
## Applications

- ◆ Wireless transmitters
- ◆ Wireless receivers
- ◆ IF chains

## Technology node

- ◆ TowerJazz SBC18

## Block diagram



## Main specifications

Parameters	Value
Center frequency	275 MHz
Bandwidth	~50MHz
DC current	12mA
Supply voltage	1.8V

## Contact

RIO SYSTEMS LTD  
 7 Gush Etzion St.,  
 Givat Shmuel, 54030, Israel  
 E-mail: [info@rio-system.com](mailto:info@rio-system.com)  
 Tel: +972 3 5349109