

# DC to 2 GHz programmable gain low noise amplifier

## Part number

- ◆ RS5200

## Overview

The RS5200 is a digitally controlled, internally matched, variable gain low noise amplifier operating in the frequency range from DC to 2 GHz.

## Features

- ◆ Digitally controlled amplifier
- ◆ No external components
- ◆ Internally input and output matching networks
- ◆ Discrete gain settings
- ◆ Stand-by mode

## Deliverable

- ◆ Close source database (flat GDSII)
- ◆ Open source database
- ◆ Support

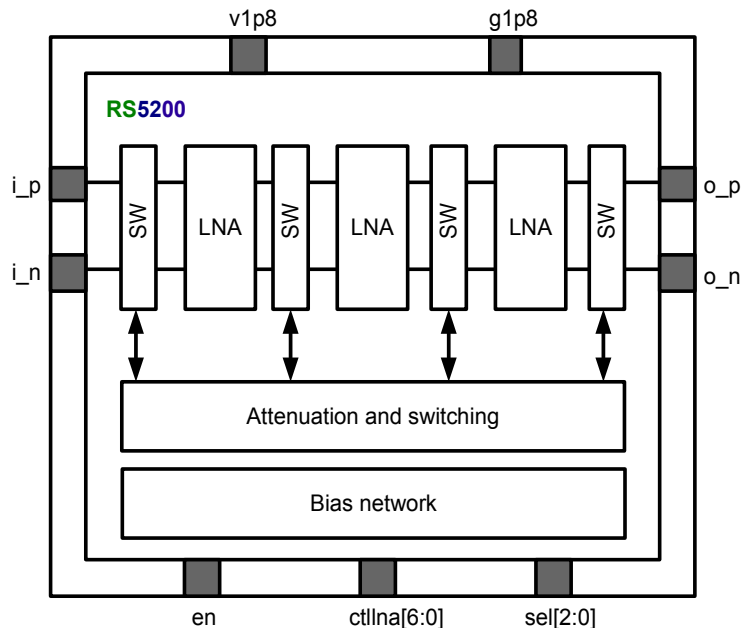
## Applications

- ◆ VHF, UHF and L-band low noise amplifier
- ◆ Wireless receivers

## Technology node

- ◆ TowerJazz TS18

## Block diagram



## Main specifications

Parameters	Value
Frequency range	DC – 2 GHz
Noise figure	< 2 dB @ 2 GHz
Voltage gain range	-12 dB to +24 dB
DC current @ max. gain	5.7 mA
Supply voltage	1.8V

## Contact

RIO SYSTEMS LTD  
 7 Gush Etzion St.,  
 Givat Shmuel, 54030, Israel  
 E-mail: [info@rio-system.com](mailto:info@rio-system.com)  
 Tel: +972 3 5349109