

Digitally controlled RF phase corrector

Part number

- ◆ RS4800

Overview

The RS4800 is a digitally controlled phase corrector to compensate the phase imbalance in quadrature modulators and de-modulators.

Features

- ◆ 4 input and output signals
- ◆ High linearity
- ◆ Low insertion loss
- ◆ High isolation

Deliverable

- ◆ Close source database (flat GDSII)
- ◆ Open source database
- ◆ Support

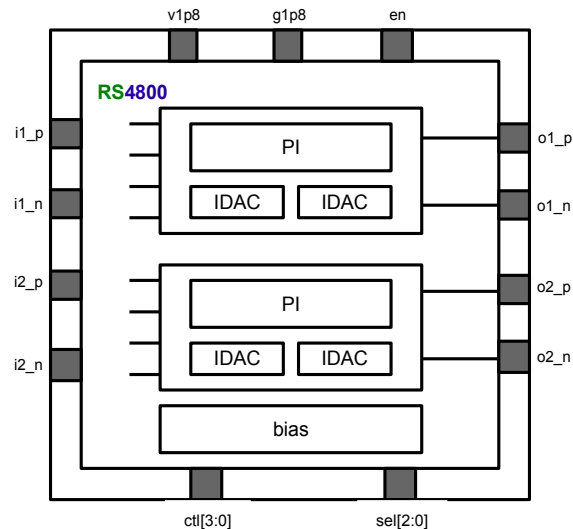
Applications

- ◆ IQ demodulator
- ◆ IQ modulators
- ◆ Wireless receivers
- ◆ Wireless transmitters

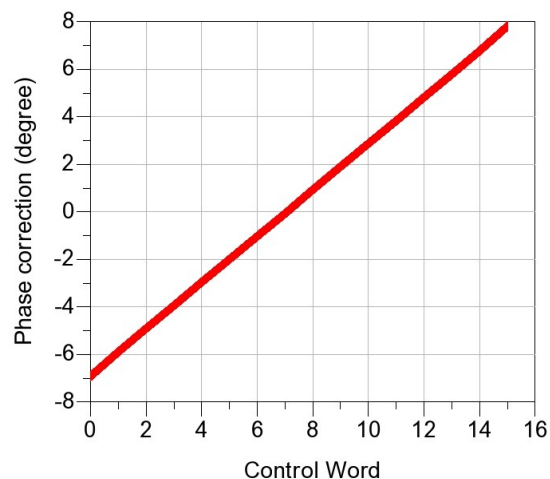
Technology node

- ◆ TowerJazz SBC18

Block diagram



Main specifications



Contact

RIO SYSTEMS LTD
 7 Gush Etzion St.,
 Givat Shmuel, 54030, Israel
 E-mail: info@rio-system.com
 Tel: +972 3 5349109