

Complex modulator

Part number

- ◆ RS4400

Overview

The RS4400 is a broadband RF complex modulator. The RS4400 provides the complex multiplication between the input and the carrier signals.

Features

- ◆ 4 channel complex multiplier
- ◆ High linearity
- ◆ Open collector output
- ◆ 1.8V supply voltage

Deliverable

- ◆ Close source database (flat GDSII)
- ◆ Open source database
- ◆ Support

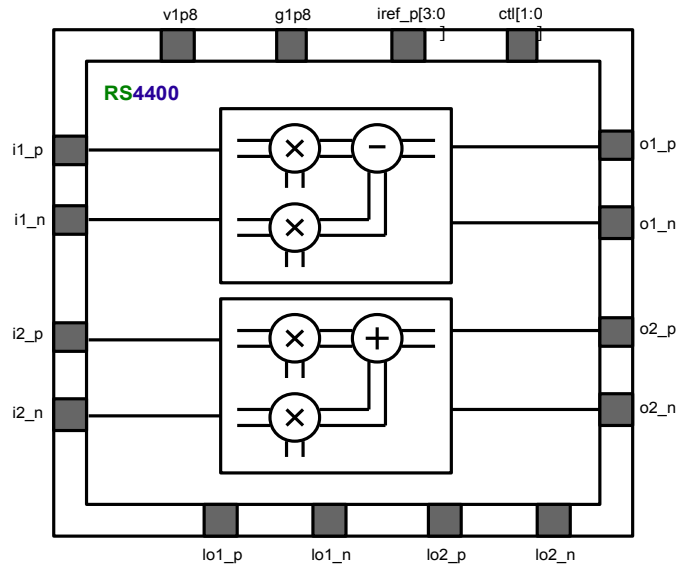
Applications

- ◆ RF transmitters

Technology node

- ◆ TowerJazz SBC18

Block diagram



Main specifications

Parameters	Value
Frequency range	DC – 6 GHz
Noise figure	14 dB
Input 1dBc / channel	-10 dBv @ RL=250 Ω -8 dBv @ RL=150 Ω
DC current	14 mA
Supply voltage	1.8 V

Contact

RIO SYSTEMS LTD
 7 Gush Etzion St.,
 Givat Shmuel, 54030, Israel
 E-mail: info@rio-system.com
 Tel: +972 3 5349109