

DC-2GHz 4-bit digital attenuator

Part number

- ◆ RS4300

Overview

The RS4300 is a 4-bit digital attenuator operating from DC to 2GHz and attenuation range of 60dB.

Features

- ◆ 4-bit attenuator
- ◆ DC to 2GHz frequency range
- ◆ Maximum attenuation of 70dB
- ◆ Minimum attenuation of 10dB
- ◆ 1.8V supply voltage

Deliverable

- ◆ Close source database (flat GDSII)
- ◆ Open source database
- ◆ Support

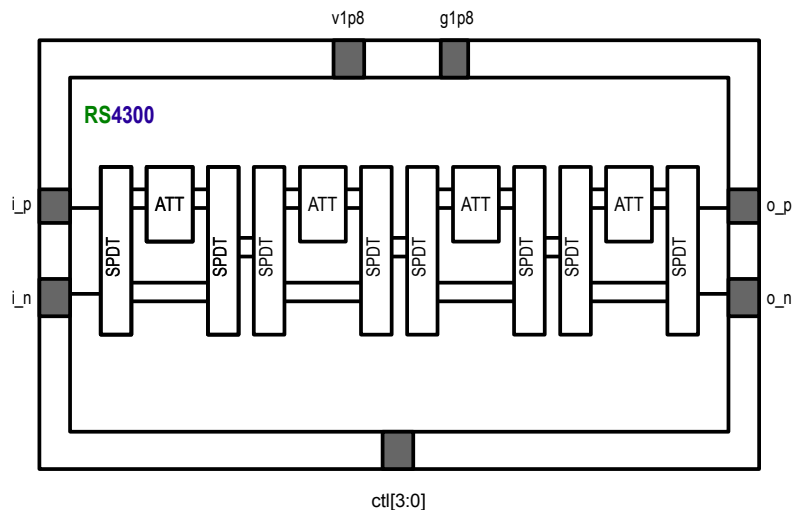
Applications

- ◆ Gain control stage
- ◆ Power control and AGC
- ◆ Wireless transmitters
- ◆ Wireless receivers

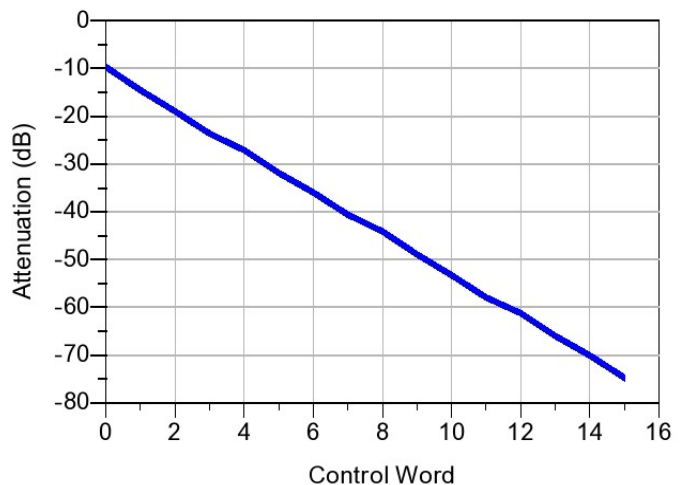
Technology node

- ◆ TowerJazz SBC18

Block diagram



Main specifications



Contact

RIO SYSTEMS LTD
7 Gush Etzion St.,
Givat Shmuel, 54030, Israel
E-mail: info@rio-system.com
Tel: +972 3 5349109