

2.7 GHz sigma-delta fractional-N PLL synthesizer

Part number

- ◆ RS3120

Overview

The RS3120 is a 31-bit sigma-delta fractional-N PLL synthesizer operating in the 2.7 GHz frequency band. The RS3120 provides high frequency resolution and support for external modulation. The output frequency can be easily tuned to other frequency bands.

Features

- ◆ High frequency resolution
- ◆ Multi-band VCO
- ◆ Adjustable phase-detector gain
- ◆ Dead-zone mitigation
- ◆ Wide reference frequency range

Deliverable

- ◆ Close source database (flat GDSII)
- ◆ Support

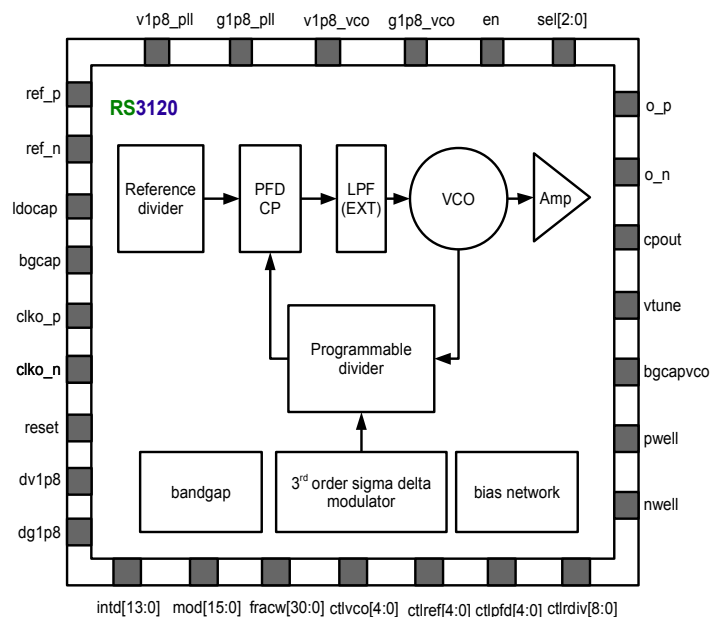
Applications

- ◆ Wireless receivers
- ◆ Wireless transmitters
- ◆ FMCW radar systems
- ◆ Frequency sources

Technology node

- ◆ TowerJazz TS18

Block diagram



Main specifications

Parameters	Value
Frequency range	2.2 GHz – 3.5 GHz
Charge pump current	~ 0.3mA to 1.6 mA
Area	0.65 mm x 0.87 mm
DC current	23 mA
Supply voltage	1.8 V

Contact

RIO SYSTEMS LTD
 7 Gush Etzion St.,
 Givat Shmuel, 54030, Israel
 E-mail: info@rio-system.com
 Tel: +972 3 5349109