

4 GHz sigma-delta fractional-N PLL synthesizer

Part number

- ◆ RS3110

Overview

The RS3110 is a 31-bit sigma-delta fractional-N PLL synthesizer operating in the 4 GHz frequency band. The RS3110 provides high frequency resolution and support for external modulation. The output frequency can be easily tuned to other frequency bands.

Features

- ◆ High frequency resolution
- ◆ Multi-band VCO
- ◆ Adjustable phase-detector gain
- ◆ Dead-zone mitigation
- ◆ Wide reference frequency range

Deliverable

- ◆ Close source database (flat GDSII)
- ◆ Support

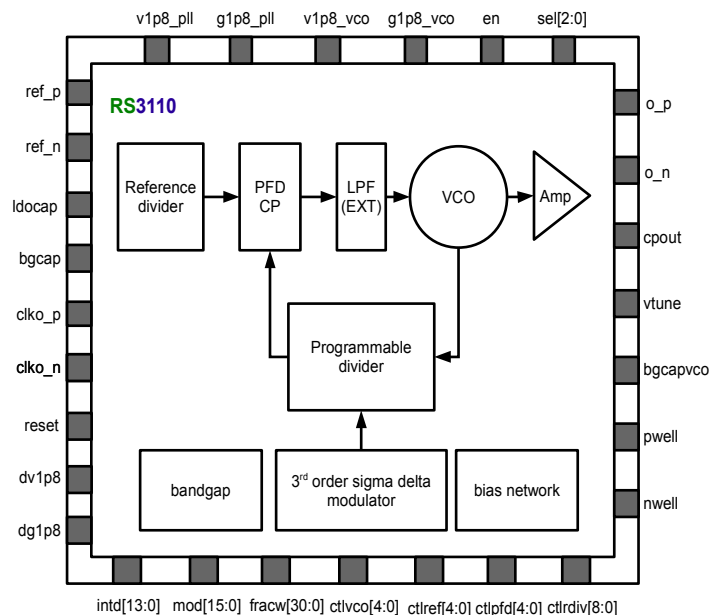
Applications

- ◆ Wireless receivers
- ◆ Wireless transmitters
- ◆ FMCW radar systems
- ◆ Frequency sources

Technology node

- ◆ TowerJazz SBC18

Block diagram



Main specifications

Parameters	Value
Frequency range	3.8 GHz – 5.1 GHz
Charge pump current	~ 0.3mA to 1.6 mA
Area	0.65 mm x 0.87 mm
DC current	35mA
Supply voltage	1.8V

Contact

RIO SYSTEMS LTD
 7 Gush Etzion St.,
 Givat Shmuel, 54030, Israel
 E-mail: info@rio-system.com
 Tel: +972 3 5349109