

# 2 GHz sigma-delta fractional-N PLL synthesizer

## Part number

- ◆ RS3100

## Overview

The RS3100 is a 31-bit sigma-delta fractional-N PLL synthesizer operating in the 2 GHz frequency band. The RS3100 provides high frequency resolution and support for external modulation. The output frequency can be easily tuned to other frequency bands.

## Features

- ◆ High frequency resolution
- ◆ Multi-band VCO
- ◆ Adjustable phase-detector gain
- ◆ Dead-zone mitigation
- ◆ Wide reference frequency range

## Deliverable

- ◆ Close source database (flat GDSII)
- ◆ Support

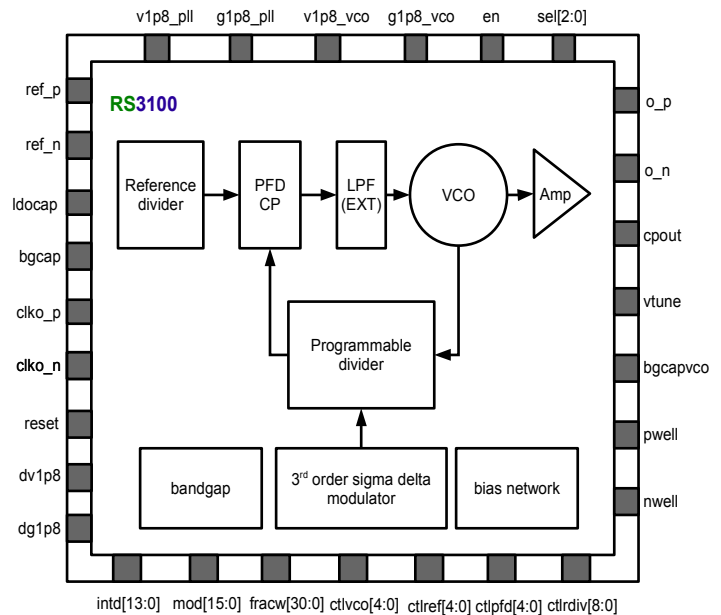
## Applications

- ◆ Wireless receivers
- ◆ Wireless transmitters
- ◆ FMCW radar systems
- ◆ Frequency sources

## Technology node

- ◆ TowerJazz SBC18

## Block diagram



## Main specifications

Parameters	Value
Frequency range	2.0 GHz – 2.8 GHz
Charge pump current	~ 0.3mA to 1.6 mA
Area	0.65 mm x 0.87 mm
DC current	35mA
Supply voltage	1.8V

## Contact

RIO SYSTEMS LTD  
 7 Gush Etzion St.,  
 Givat Shmuel, 54030, Israel  
 E-mail: [info@rio-system.com](mailto:info@rio-system.com)  
 Tel: +972 3 5349109