

10-bit Programmable NCO

Part number

- ◆ NCO0510L

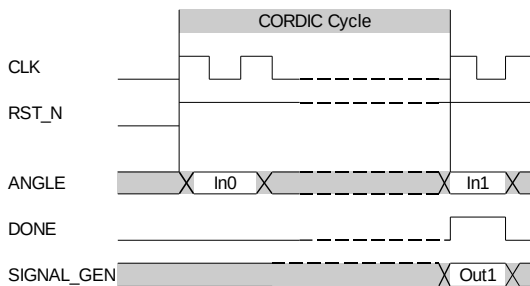
Overview

The NCO0510L is a 10-bit NCO digital signal generator with 32 output programmable frequency and signal selector (sin/cos waveform)

Deliverable

- ◆ Scripts for synthesis
- ◆ HDL (Verilog)
- ◆ Testbench
- ◆ Timing Constraints Files
- ◆ Support Documentation

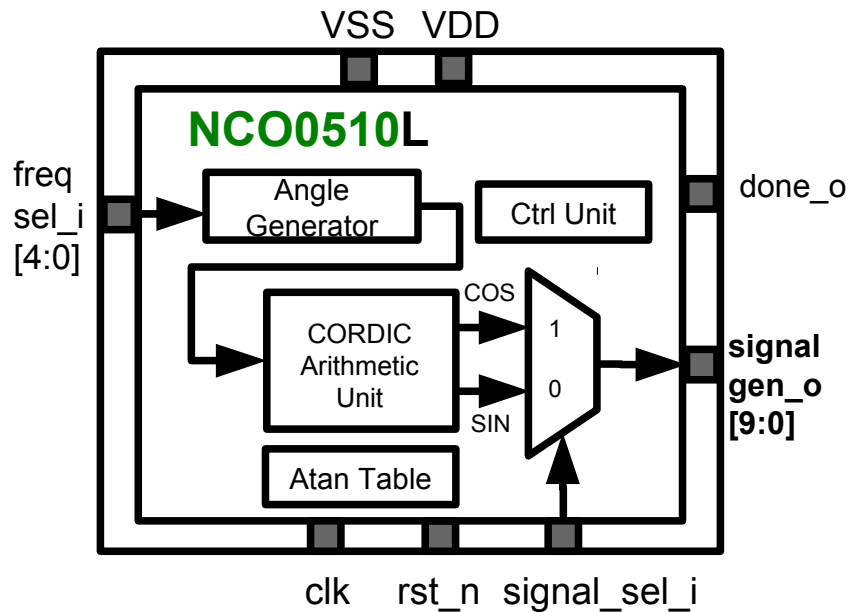
Timing diagram



Technology node

- ◆ TSMC TSMC18, TSMC13
- ◆ FPGA VALIDATED
- ◆ (ALTERA/XILINX)

Block diagram



Main specifications

Parameters	Value
Output Frequency Range	32 Frequencies (76 Hz – 1 MHz)
Output signal function	Sinus/cosinus waveform
Clock System	100 MHz
SFDR	53 dB
Output Range	10-bit unsigned or two's complement
Number of iterations	10

Contact

RIO SYSTEMS LTD
7 Gush Etzion St.,
Givat Shmuel, 54030, Israel
E-mail: info@rio-system.com
Tel: +972 3 5349109