

# 6<sup>th</sup> order switched-capacitor low pass filter

## Part number

- ◆ RS6400

## Overview

The RS6400 is a 6<sup>th</sup> order switched capacitor low pass filter. Bi-quadratic switched capacitors filter stages are used to define the low pass filter characteristics.

## Features

- ◆ 6<sup>th</sup> order filter characteristics
- ◆ Integrated single bit DAC
- ◆ Single-ended and differential output
- ◆ Single ended input clock
- ◆ Biquad filter stages

## Deliverable

- ◆ Close source database (flat GDSII)
- ◆ Open source database
- ◆ Support

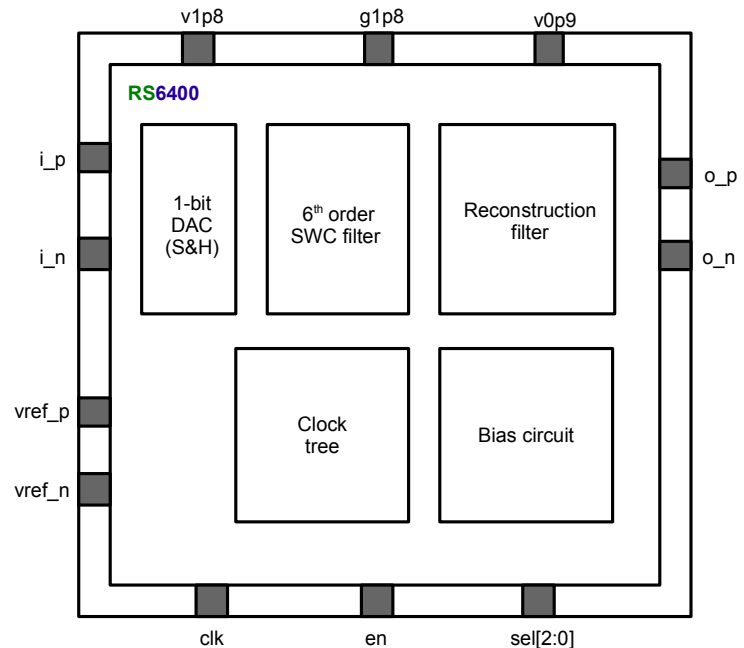
## Applications

- ◆ Sigma-delta converters
- ◆ Analog baseband filter
- ◆ General purpose low pass filters

## Technology node

- ◆ TowerJazz TS18

## Block diagram



## Main specifications

Parameters	Value
Filter order	6
Area	0.58 mm x 0.48 mm
DC current	18mA
Supply voltage	1.8V

## Contact

RIO SYSTEMS LTD  
 7 Gush Etzion St.,  
 Givat Shmuel, 54030, Israel  
 E-mail: [info@rio-system.com](mailto:info@rio-system.com)  
 Tel: +972 3 5349109