

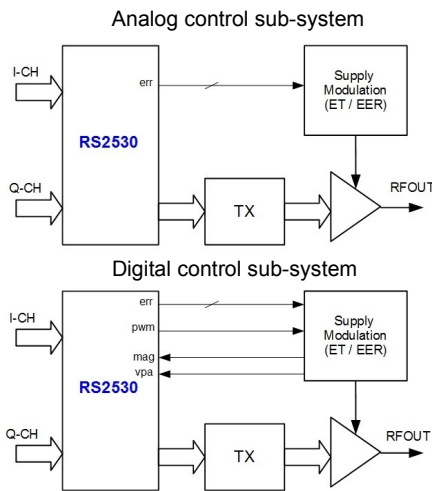
Supply modulation signal conditioner

RS2530 description

The RS2540 is a digitally programmed supply modulation signal conditioning for applications in envelope tracking and envelope elimination and restoration sub-systems. It integrates a digital control loop and internal PWM generator allowing the selection between different supply modulation configurations and integration approaches. The RS2530 is programmable through SPI interface.

RS2530 applications

- Wireless communication systems
- Envelope tracking and EER sub-systems
- Power amplifiers



Availability

- RTL netlist
- Documentation

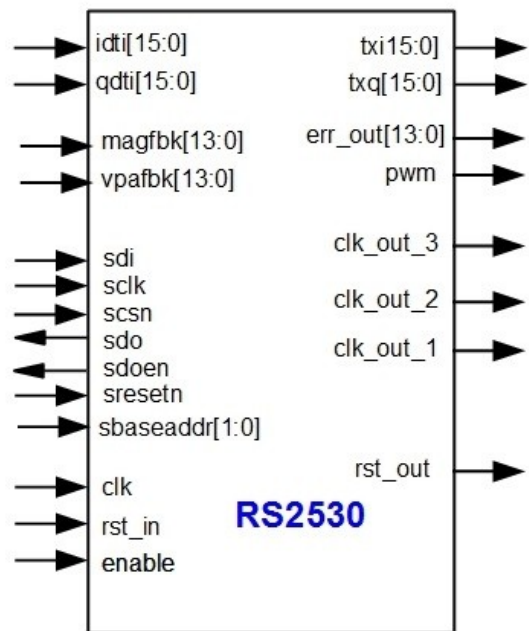
Contact

For more information, visit www.rio-system.com or by e-mail at info@rio-system.com
 RIO SYSTEMS LTD
 7 Gush Etzion St. , Givat Shmuel,
 54030, Israel

RS2530 features

- Support ET and EER transmissions
- Digital and analog control loops
- Internal PWM generation
- 14-bit error signal
- SPI program interface
- Quadrature clock output

Block diagram



State diagram

