

Dual channel digitally controlled linear-dB variable gain amplifier

Part number

- ◆ RS5110

Overview

The RS5110 is a digitally controlled linear in dB variable gain amplifier operating in the UHF frequency range.

Features

- ◆ 8-bit variable gain amplifier
- ◆ 0.2GHz to 1GHz frequency range
- ◆ Integrated 8-bit DAC
- ◆ 1.8V supply voltage

Deliverable

- ◆ Close source database (flat GDSII)
- ◆ Open source database
- ◆ Support

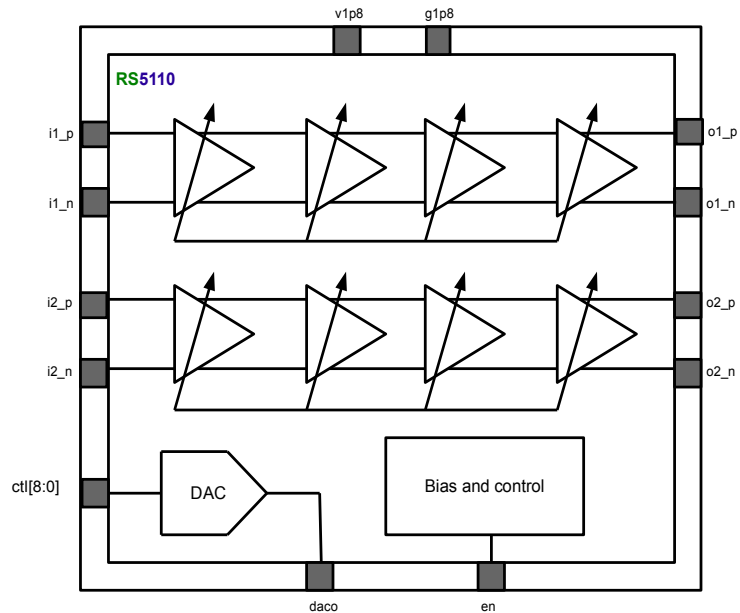
Applications

- ◆ Gain control stage
- ◆ Power control and AGC
- ◆ Wireless transmitters
- ◆ Wireless receivers

Technology node

- ◆ TowerJazz SBC18

Block diagram



Main specifications

Parameters	Value
Frequency range	0.2GHz - 1GHz
Range	-60dB to +40dB
Flatness	< 0.8dB
DC current	17mA
Supply voltage	1.8V

Contact

RIO SYSTEMS LTD
 7 Gush Etzion St.,
 Givat Shmuel, 54030, Israel
 E-mail: info@rio-system.com
 Tel: +972 3 5349109