

Broadband RF switching matrix

Part number

- ◆ RS4700

Overview

The RS4700 is a 4x4 RF switch matrix. The RS4700 is used to route differential RF signals.

Features

- ◆ 4 input and output signals
- ◆ High linearity
- ◆ Low insertion loss
- ◆ High isolation

Deliverable

- ◆ Close source database (flat GDSII)
- ◆ Open source database
- ◆ Support

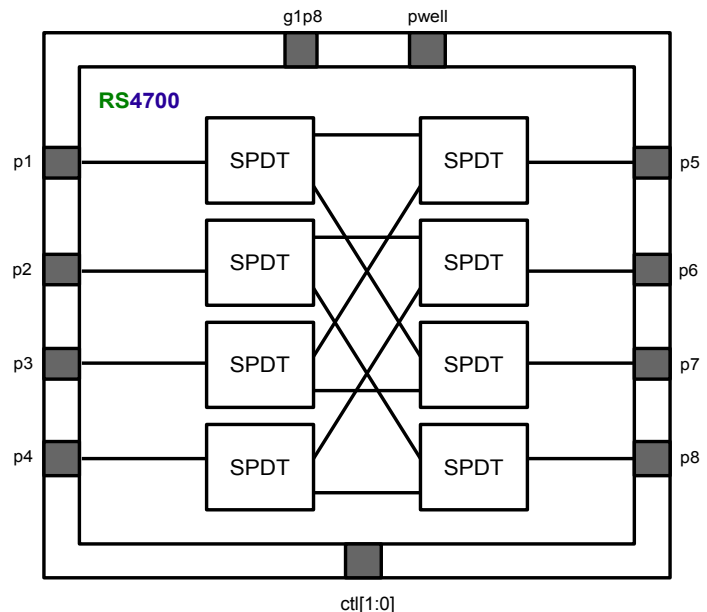
Applications

- ◆ RF routing
- ◆ Wireless receivers
- ◆ Wireless transmitters

Technology node

- ◆ TowerJazz SBC18

Block diagram



Main specifications

Parameters	Value
Frequency range	0.6 GHz – 20 GHz
Isolation	> 45 dB @ 3 GHz > 30 dB @ 20 GHz
Insertion loss	1.8 dB @ 3GHz 5.6 dB @ 20 GHz

Contact

RIO SYSTEMS LTD
 7 Gush Etzion St.,
 Givat Shmuel, 54030, Israel
 E-mail: info@rio-system.com
 Tel: +972 3 5349109