

2-bit high speed analog to digital converter

Part number

- ◆ RS8641

Overview

The RS8641 is a 2-bit high speed ADC. The output of RS8641 can be used as 1-bit ADC, 3-level ADC or 2-bit MAG/SIG ADC.

Features

- ◆ High speed 3-level ADC
- ◆ 2-bit (MAG / SIG) resolution
- ◆ Differential input clock
- ◆ Low current consumption
- ◆ 1.8V supply voltage

Deliverable

- ◆ Close source database (flat GDSII)
- ◆ Open source database
- ◆ Support

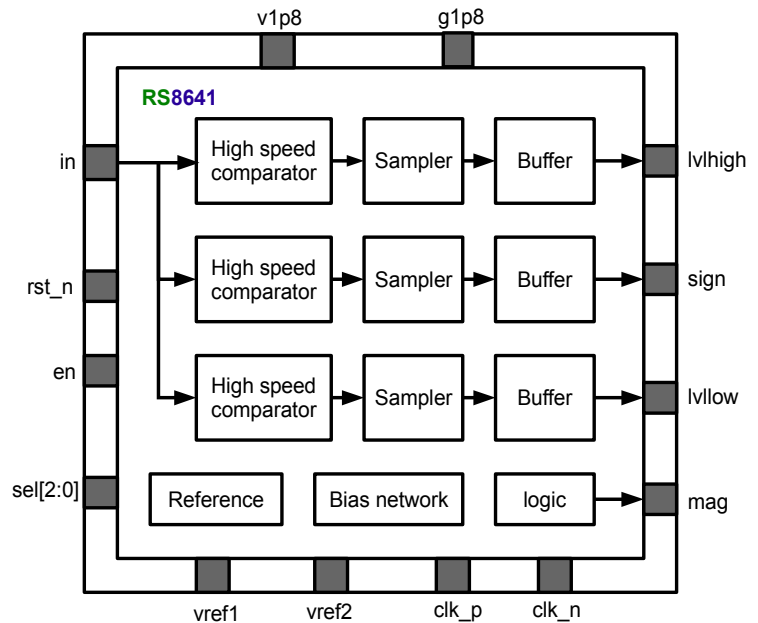
Applications

- ◆ FM systems
- ◆ 1-bit, 1.5-bit and 2-bit ADC
- ◆ Limiters

Technology node

- ◆ TowerJazz TS18

Block diagram



Main specifications

Parameters	Value
Resolution	2 bits
DC current	550 μ A
Area	0.18 mm x 0.08 mm
Supply voltage	1.8 V

Contact

RIO SYSTEMS LTD
7 Gush Etzion St.,
Givat Shmuel, 54030, Israel
E-mail: info@rio-system.com
Tel: +972 3 5349109