

3-level high speed quantizer

Part number

- ◆ RS8640

Overview

The RS8640 is a 3-level high speed quantizer. The output of RS8640 can be used as limiter, 3-level quantizer or MAG/SIG configuration.

Features

- ◆ High speed 3-level comparator
- ◆ 2-bit resolution
- ◆ MAG / SIG digital output
- ◆ Low current consumption
- ◆ 1.8V supply voltage

Deliverable

- ◆ Close source database (flat GDSII)
- ◆ Open source database
- ◆ Support

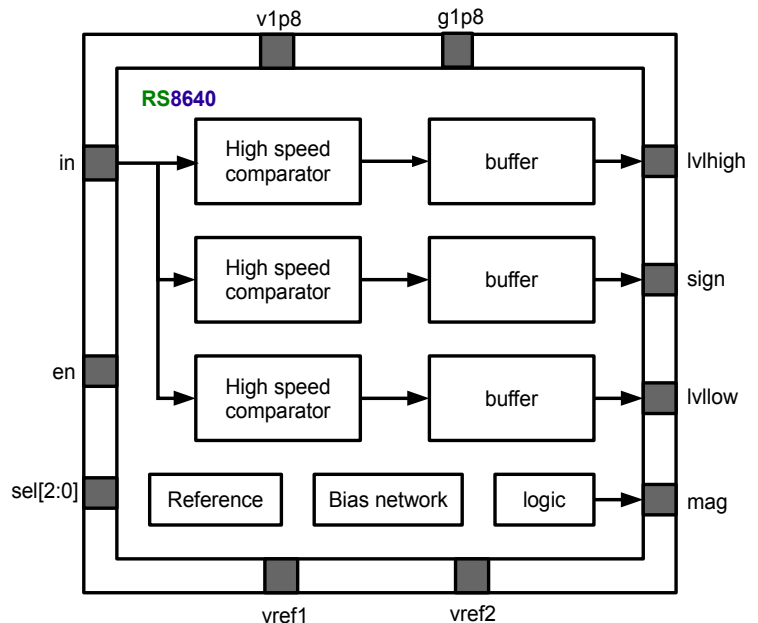
Applications

- ◆ FM systems
- ◆ 1-bit, 1.5-bit and 2-bit quantizers
- ◆ Limiters

Technology node

- ◆ TowerJazz TS18

Block diagram



Main specifications

Parameters	Value
Resolution	2 bits
DC current	550 μ A
Area	0.17 mm x 0.08 mm
Supply voltage	1.8 V

Contact

RIO SYSTEMS LTD
 7 Gush Etzion St.,
 Givat Shmuel, 54030, Israel
 E-mail: info@rio-system.com
 Tel: +972 3 5349109