

3rd order sigma delta modulator

Part number

- ◆ RS8100

Overview

The RS8100 is a 3rd order sigma-delta digital modulator for PLL synthesizer applications.

Features

- ◆ Mash 1-1-1 sigma-delta topology
- ◆ 16-bit input for external modulating signal
- ◆ 31-bit resolution in the fractional word
- ◆ 1.8V supply voltage

Deliverable

- ◆ Close source database (flat GDSII)
- ◆ HDL
- ◆ Support

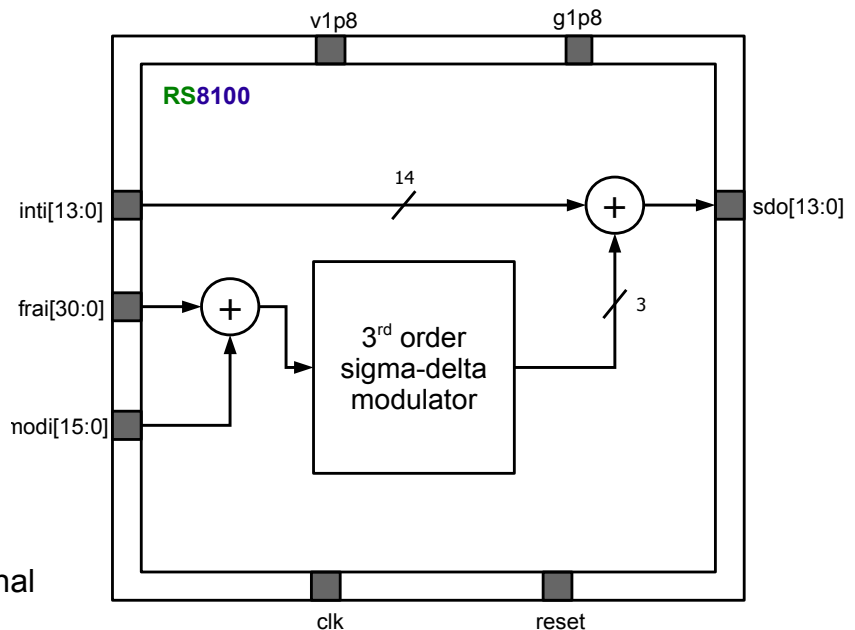
Applications

- ◆ PLL synthesizers
- ◆ Noise shaping

Technology node

- ◆ TowerJazz TS18SL

Block diagram



Main specifications

Parameters	Value
Modulator order	3
Fractional range	31 bit
Clock frequency	< 50 MHz
Area	0.25mm x 0.2mm
Supply voltage	1.8V

Contact

RIO SYSTEMS LTD
 7 Gush Etzion St.,
 Givat Shmuel, 54030, Israel
 E-mail: info@rio-system.com
 Tel: +972 3 5349109