

6th order gmC low pass filter

Part number

- ◆ RS6310

Overview

The RS6310 is a 6th order gmC low pass filter operating with 3dB cut-off frequency at around 70MHz.

Features

- ◆ 70 MHz 3 dB bandwidth
- ◆ Low noise characteristics
- ◆ Tunable frequency response
- ◆ Variable gain
- ◆ 1.8V supply voltage

Deliverable

- ◆ Close source database (flat GDSII)
- ◆ Open source database
- ◆ Support

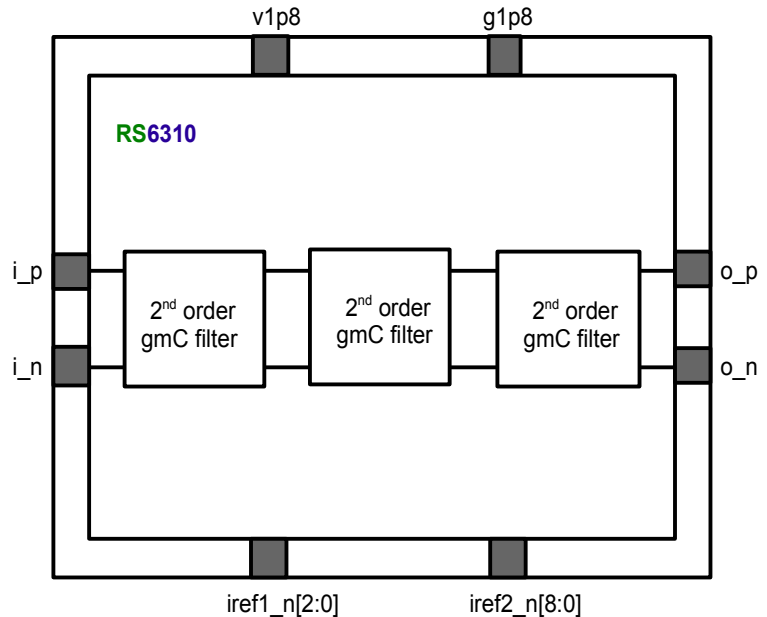
Applications

- ◆ Wireless transmitters
- ◆ Wireless receivers
- ◆ IF chains

Technology node

- ◆ TowerJazz TS18

Block diagram



Main specifications

Parameters	Value
Filter order	6
Bandwidth	~70MHz
Area	0.26 mm x 0.24 mm
DC current	3.6 mA
Supply voltage	1.8 V

Contact

RIO SYSTEMS LTD
 7 Gush Etzion St.,
 Givat Shmuel, 54030, Israel
 E-mail: info@rio-system.com
 Tel: +972 3 5349109