

Ring oscillator integer – N PLL synthesizer

Part number

- ◆ RS3024L

Overview

The RS3024L is a low power digital integer-N ring oscillator PLL synthesizer operating in the frequency range between 180 and 600 MHz. The RS3024L provides either static or automatic calibration of the output frequency, programmable clock distribution and multiple output phases.

Features

- ◆ Low phase noise VCO
- ◆ Multi-band VCO
- ◆ Independent output clock dividers.
- ◆ Multiple output phases
- ◆ Low power consumption

Deliverable

- ◆ Close source database (flat GDSII)
- ◆ Support

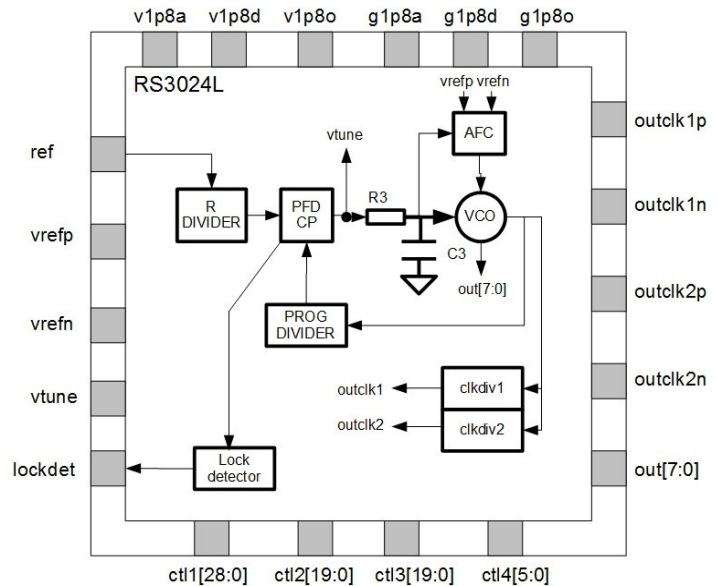
Applications

- ◆ Clock multipliers
- ◆ Wireless systems
- ◆ Radar systems
- ◆ Frequency sources

Technology node

- ◆ TowerJazz TS18

Block diagram



Main specifications

Parameters	Value
Frequency range	180 MHz – 600 MHz
Output phases	8
Area	0.45 mm x 0.3 mm
DC current	7 mA
Supply voltage	1.8 V

Contact

RIO SYSTEMS LTD
7 Gush Etzion St.,
Givat Shmuel, 54030, Israel
E-mail: info@rio-system.com
Tel: +972 3 5349109