

Direct programmable frequency synthesizer

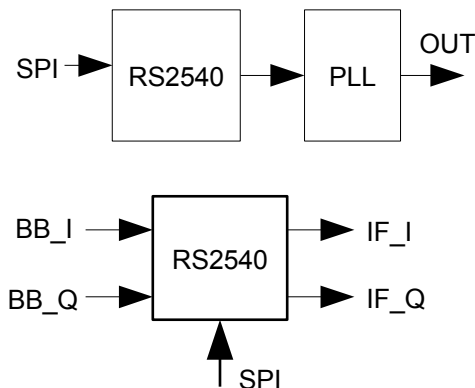
RS2540 description

The RS2540 is a digitally programmed frequency synthesizer. It comprises of three main units: DDS core, IQ modulator and DAC preconditioning functional units. The DDS core comprises of 24-bit frequency tuning word. The DDS core is connected to a 16-bit precision quadrature modulator and DAC conditioning functions, providing quadrature output signals.

The flexibility offers by the RS2540 enables its use to multiple applications.

RS2540 applications

- Radar systems
- Frequency synthesis
- Phase arrays



Availability

- RTL netlist
- GDSII
- Documentation

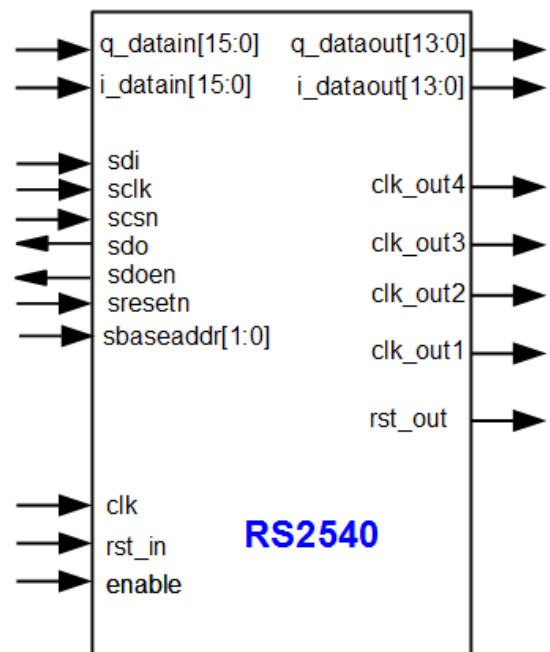
Contact

For more information, visit www.rio-system.com or by e-mail at info@rio-system.com
 RIO SYSTEMS LTD
 7 Gush Etzion St. , Givat Shmuel,
 54030, Israel

RS2540 features

- 24-bit frequency tuning
- Quadrature output signals
- SPI program interface
- Interface to 14-bit DACs
- DAC conditioning filter
- Internal IQ modulator
- Quadrature clock output

Block diagram



State diagram

