

# Power On Reset

## Part number

- ◆ POR0613L

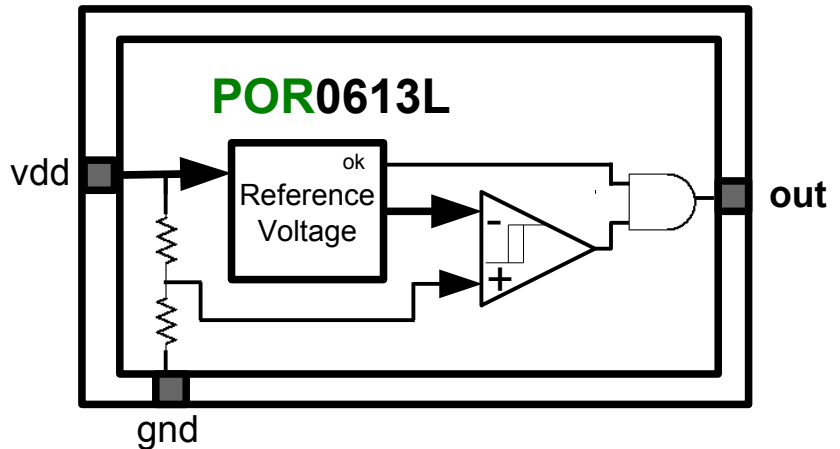
## Overview

The output of the POR0613L goes high when supply voltage is rising and crossing 3V. And goes low when supply voltage is falling and crossing 2.8V.

## Deliverable

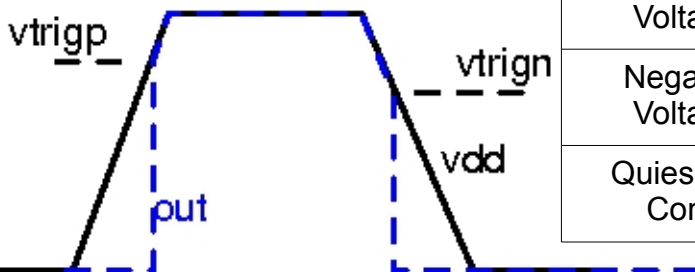
- ◆ Close source database (flat GDSII)
- ◆ Support

## Block diagram



## Main specifications

### Voltages Levels



Parameters	Value
Positive Trigger Voltage (vtrigp)	3.0V +/- 1%
Negative Trigger Voltage (vtrign)	2.8V +/- 1%
Quiescent Current Consumption	30uA

## Contact

RIO SYSTEMS LTD  
 7 Gush Etzion St.,  
 Givat Shmuel, 54030, Israel  
 E-mail: [info@rio-system.com](mailto:info@rio-system.com)  
 Tel: +972 3 5349109

## Technology node

- ◆ AMS035