

87dB Sigma Delta ADC

Part number

◆ ADC6140L

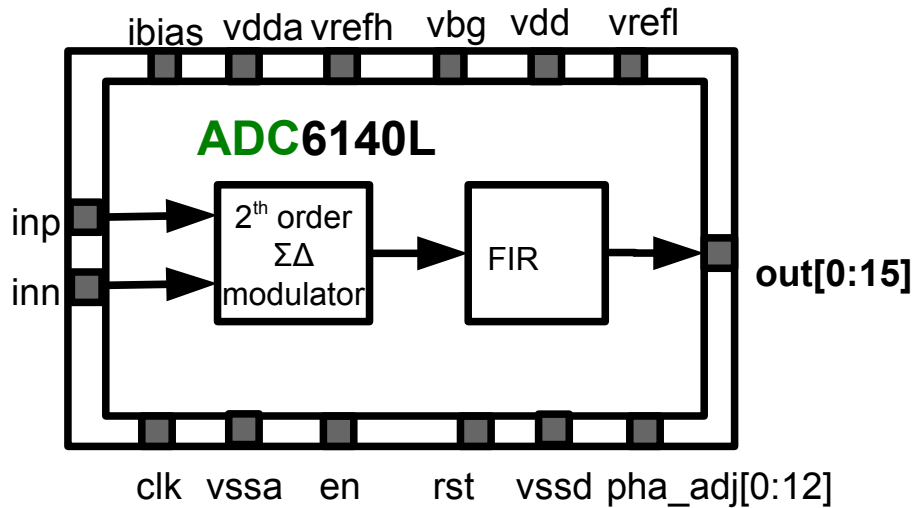
Overview

The ADC6140 is a 87dB Sigma-Delta ADC for power quality measurements with adjustable phase.

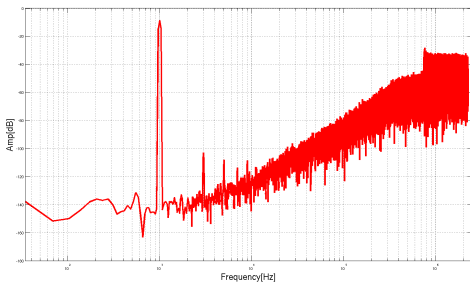
Deliverable

- ◆ Close source database (flat GDSII)
- ◆ Support

Block diagram



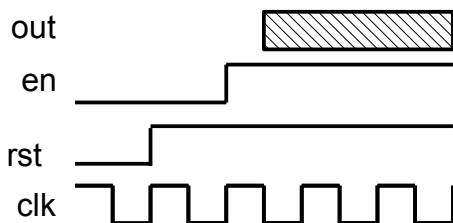
Output spectrum



Main specifications

Parameters	Value
Modulator order	2
Resolution	16 bits
SNDR	87dB
Differential Input Range	3VPP
OSR	640
fsmax	4.5MHz
vdda	3.3V
vdd	1.8V
vrefh	1.95V
vrefl	0.45V
ibias	17μA

Timing diagram



Technology node

- ◆ TowerJazz TS18

Contact

RIO SYSTEMS LTD
 7 Gush Etzion St.,
 Givat Shmuel, 54030, Israel
 E-mail: info@rio-system.com
 Tel: +972 3 5349109